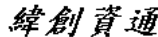
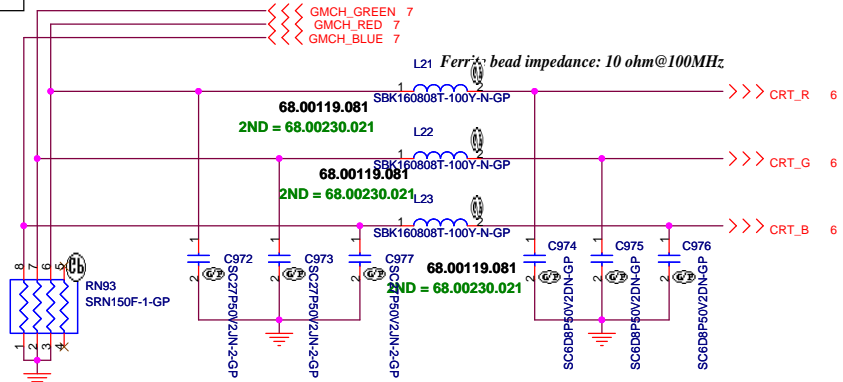


UMA CRT

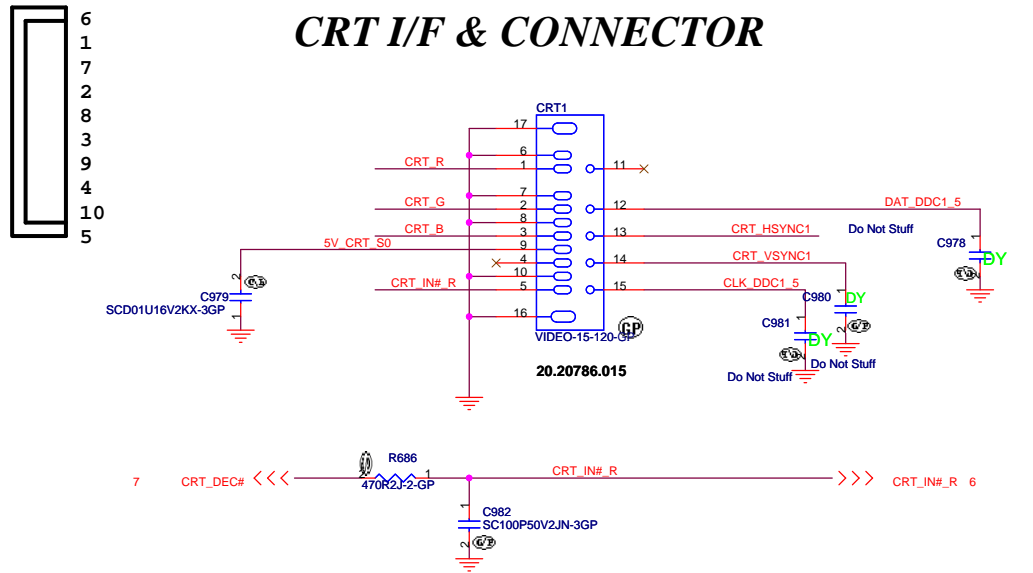
 Wistron Corporation 21F, 88, Sec.1, Hsin Tai Wu Rd., Hsichih, Taipei Hsien 221, Taiwan, R.O.C.	
USB CONN	
JM41 CRT BD	
Size	Document Number
Date: Wednesday, March 04, 2009	Sheet 1 of 8
Rev	-1

Layout Note:
Place these resistors
close to the CRT-out
connector

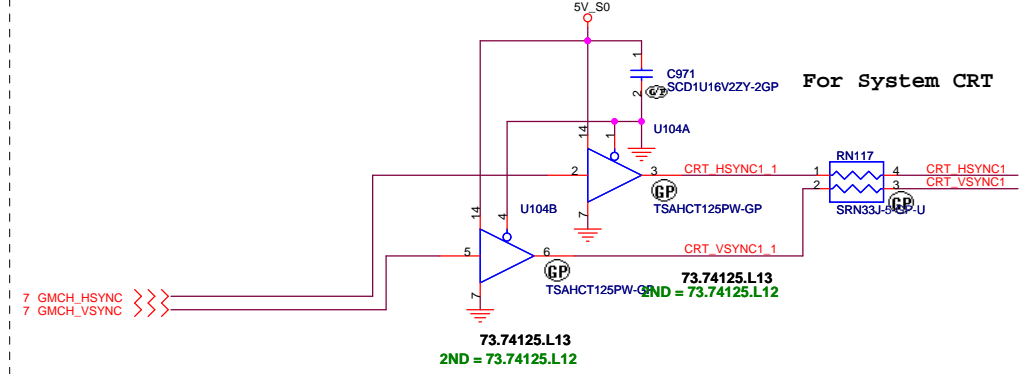


Layout Note:
* Must be a ground return path between this ground and the ground on the VGA connector.
Pi-filter & 150 Ohm pull-down resistors should be as close as to CRT CONN. RGB will hit 75 Ohm first, pi-filter, then CRT CONN.

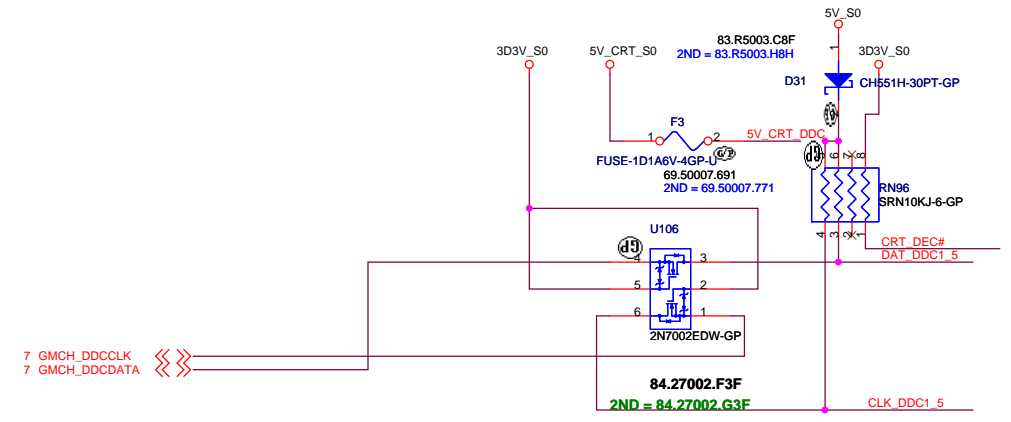
CRT I/F & CONNECTOR



Hsync & Vsync level shift



DDC_CLK & DATA level shift

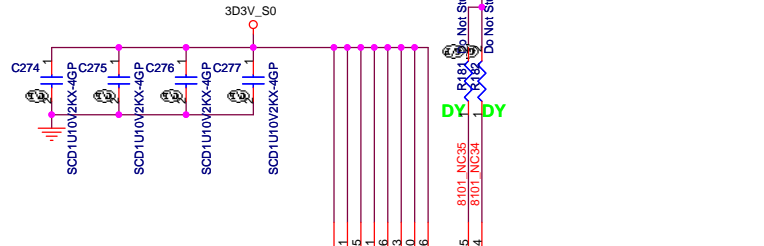
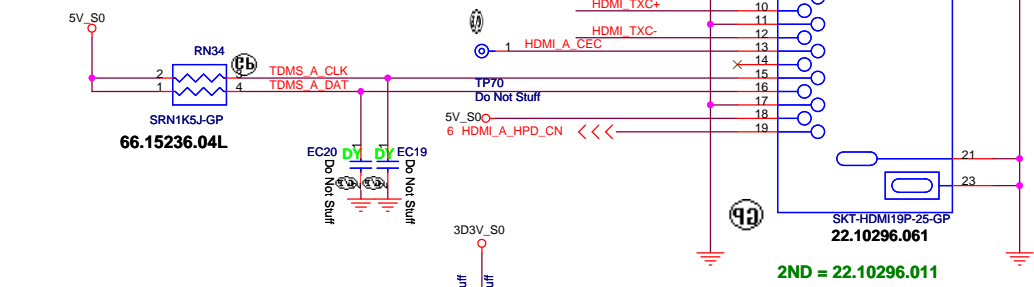
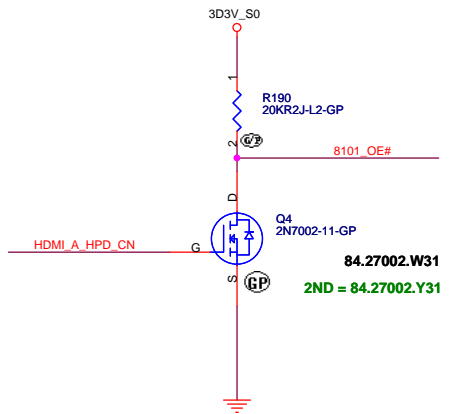


UMA CRT

緯創資通 Wistron Corporation
21F, 88, Sec.1, Hsin Tai Wu Rd., Hsichih, Taipei Hsien 221, Taiwan, R.O.C.

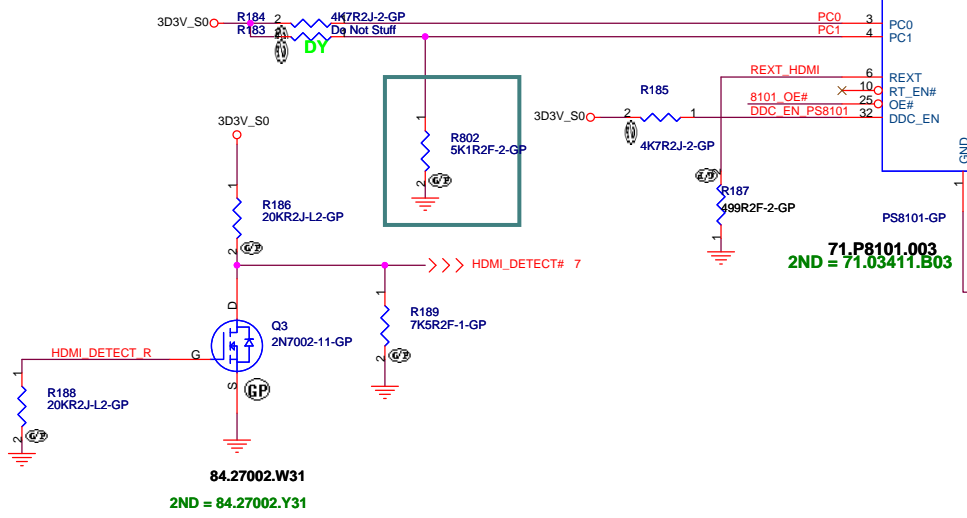
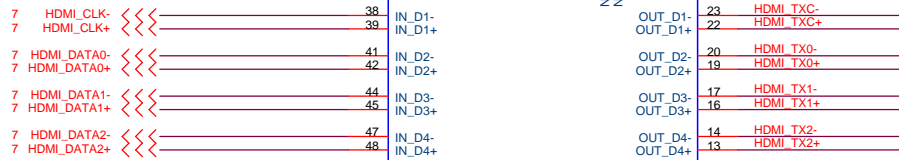
Title CRT CONN

Size	Document Number	Rev
	JM41 CRT BD	-1
Date: Wednesday, March 04, 2009	Sheet 2 of 8	



SC_20090208

Recommended Equalization: [PC1,PC0]=01, 4dB



UMA CRT

緯創資通 Wistron Corporation
21F, 88, Sec.1, Hsin Tai Wu Rd., Hsichih, Taipei Hsien 221, Taiwan, R.O.C.

Title: **HDMI CONN**

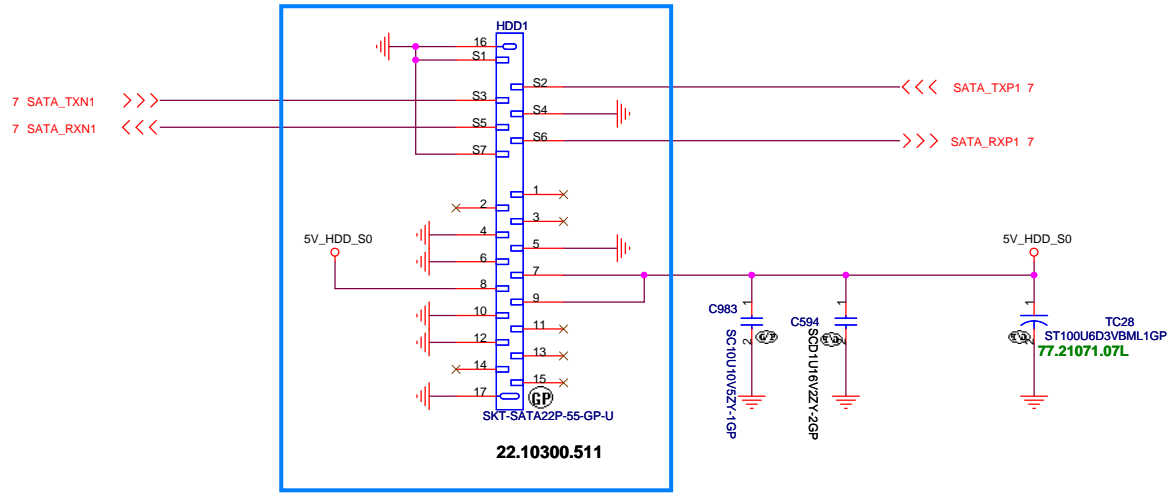
Size: Document Number

Date: Wednesday, March 04, 2009

Sheet 3 of 8

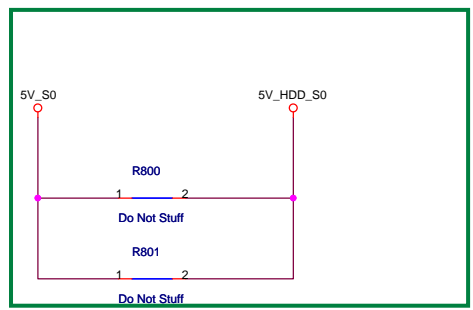
Rev -1

SATA Connector

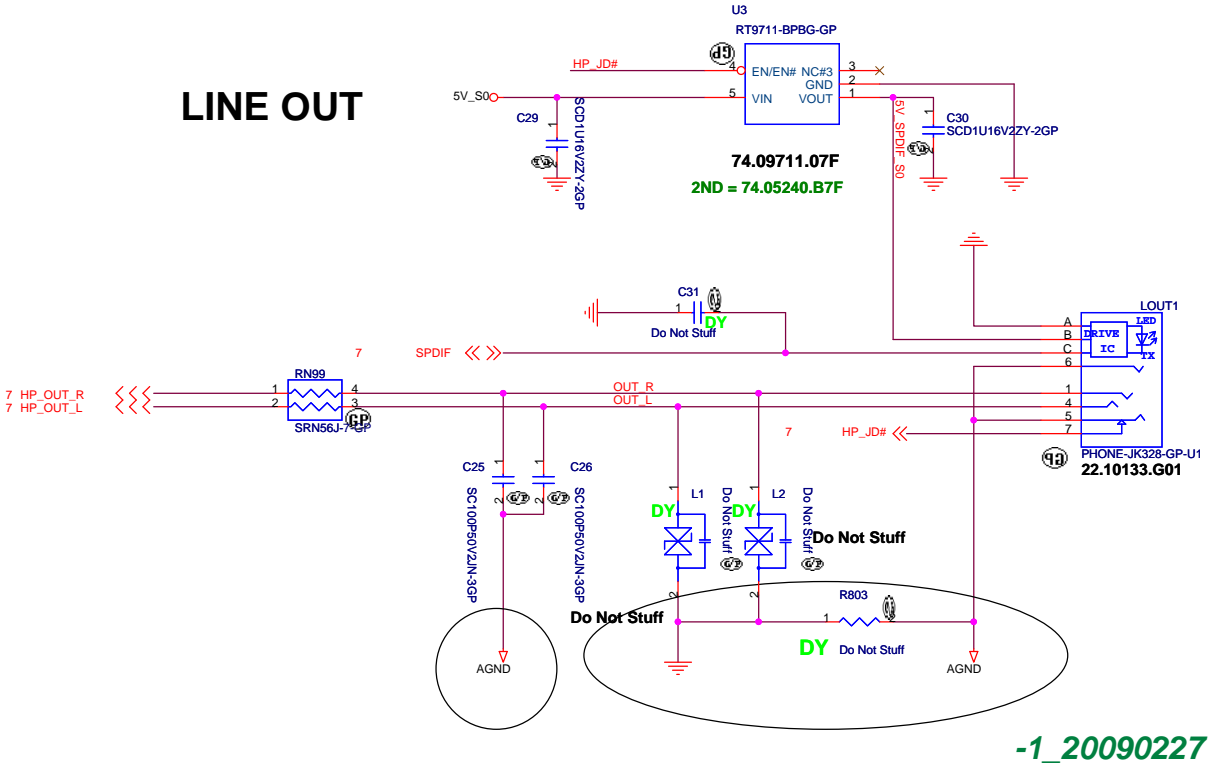


-1_20090227

HDD Power

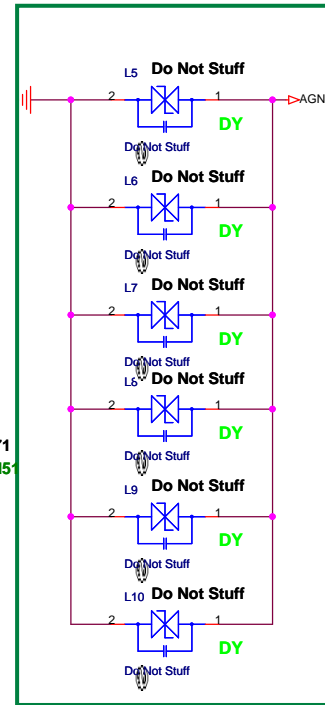
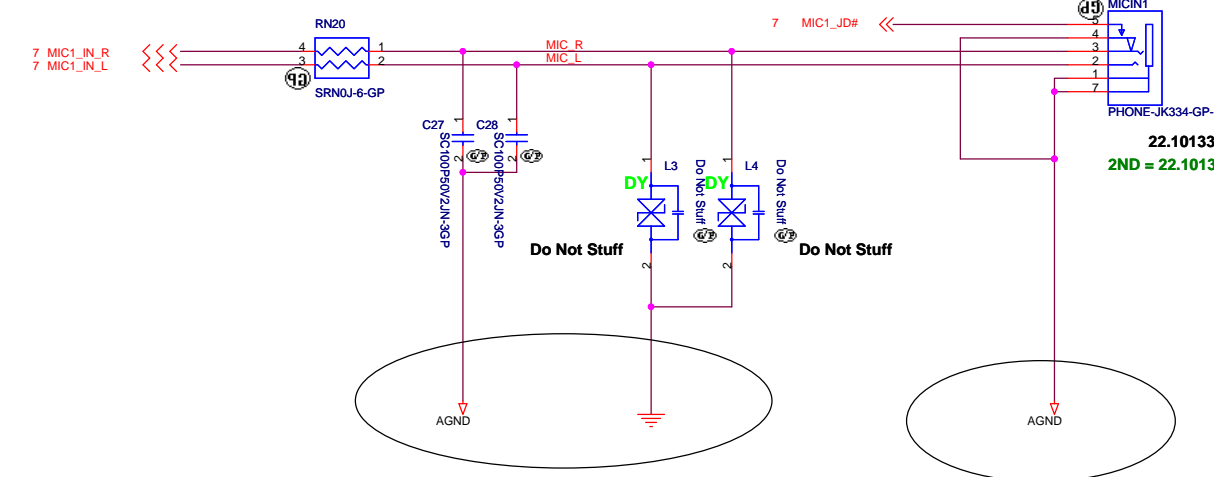


LINE OUT



-1_20090227

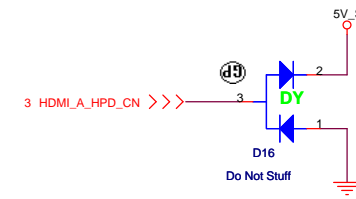
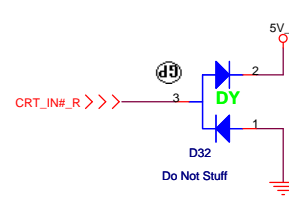
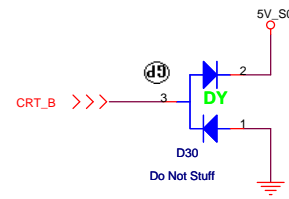
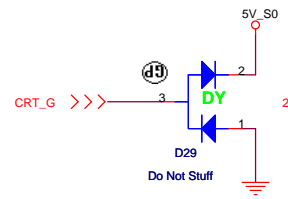
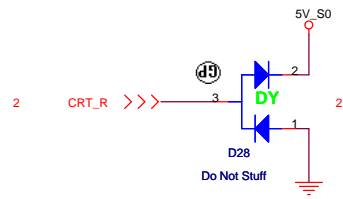
MIC IN



UMA CRT

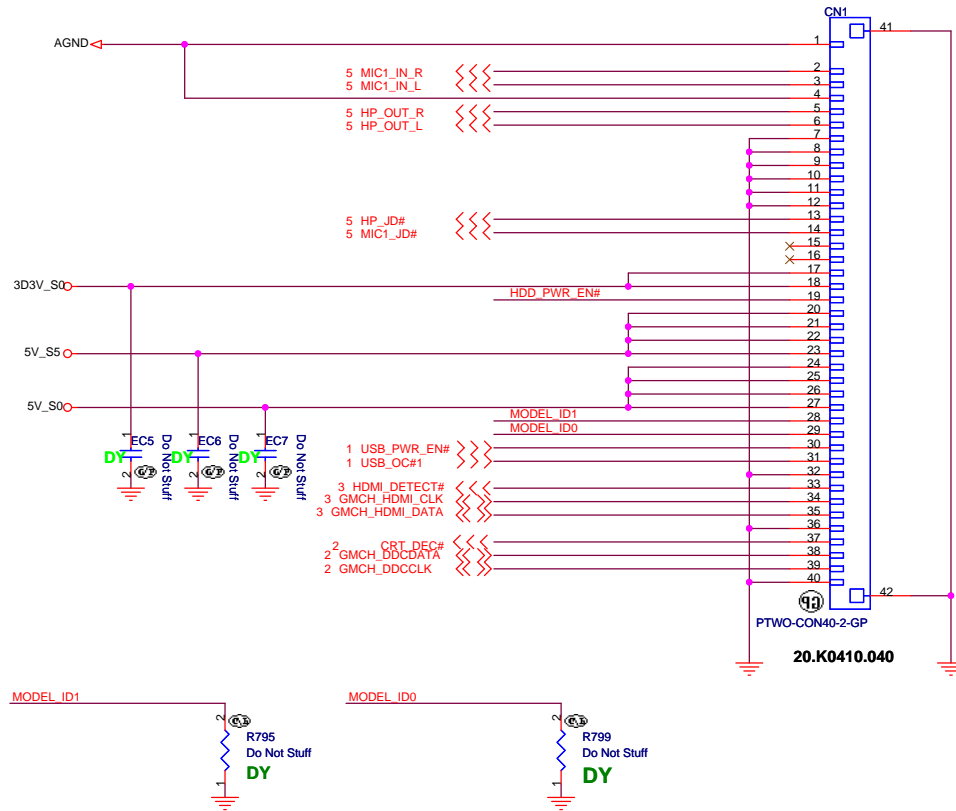
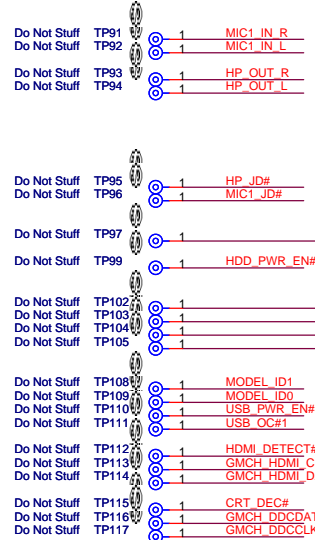
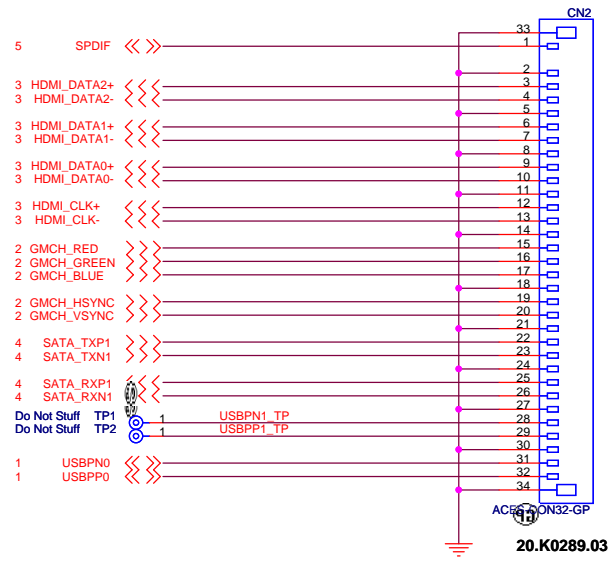
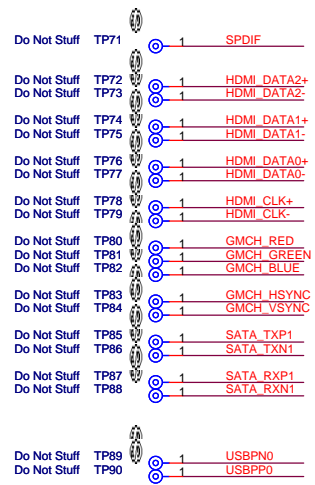
緯創資通 Wistron Corporation
21F, 88, Sec.1, Hsin Tai Wu Rd., Hsichih,
Taipei Hsien 221, Taiwan, R.O.C.

Title		
AUDIO JACK		
Size	Document Number	Rev
	JM41 CRT BD	-1
Date: Wednesday, March 04, 2009	Sheet 5 of 8	



UMA CRT

		Wistron Corporation 21F, 88, Sec.1, Hsin Tai Wu Rd., Hsichih, Taipei Hsien 221, Taiwan, R.O.C.	
Title			
UNUSED LOGIC GATE			
Size	Document Number		Rev
	JM41 CRT BD		-1
Date:	Wednesday, March 04, 2009	Sheet	6 of 8



UMA CRT

緯創資通 Wistron Corporation
21F, 88, Sec.1, Hsin Tai Wu Rd., Hsichih,
Taipei Hsien 221, Taiwan, R.O.C.

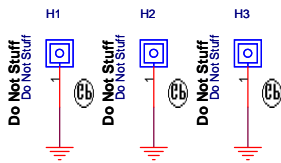
Title

CRT BD CONN

Size Document Number Rev

JM41 CRT BD -1

Date: Wednesday, March 04, 2009 Sheet 7 of 8



UMA CRT

緯創資通 **Wistron Corporation**
21F, 88, Sec.1, Hsin Tai Wu Rd., Hsichih,
Taipei Hsien 221, Taiwan, R.O.C.

Title		
EMI/Spring/Boss		
Size	Document Number	Rev
	JM41 CRT BD	-1
Date: Sunday, March 01, 2009	Sheet 8 of 8	